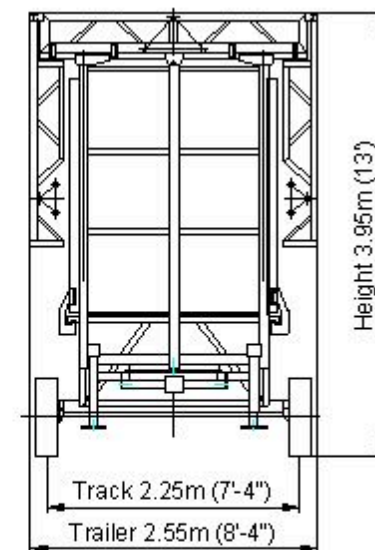
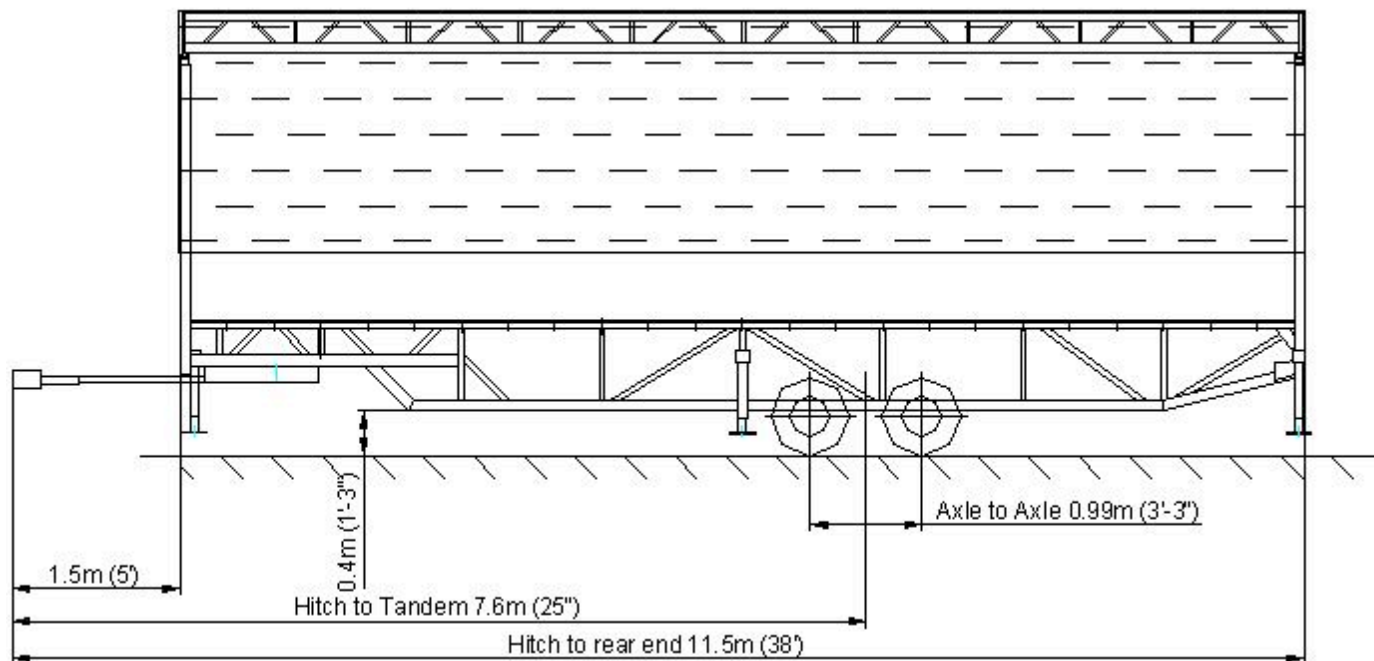


Stagemobil®  
 KARL ECKART  
 FAHRZEUGBAU GmbH  
 Tel. 05675/350 – Fax 05675/5340  
 Bremer Landstraße 25  
 34369 Hofgeismar/Hümme

## Mass and Dimensions – Stagemobil XXL



**Note**

1. Mass may vary depending of options.

**Mass**                      **kg**                      **Lbs**

Vehicle Mass	4000	8800
Net weight	3800	8360
Allowable Load on Axle	2500	5500

Standard: 2 axles

Stage specifications subject  
 To change without notice  
 Figures are within inch or  
 cm to actual size

©2008 – Allrights reserved, Karl Eckart Fahrzeugbeu GmbH. Any and all forms of adaption or reproduction of this document including plans and drawings found herein, in whole or in part, are strictly forbidden without the written authorisation of Karl Eckart Fahrzeugbau GmbH.

Date: 2008-02-05  
 Revision 0

Stagemobil®

**KARL ECKART**

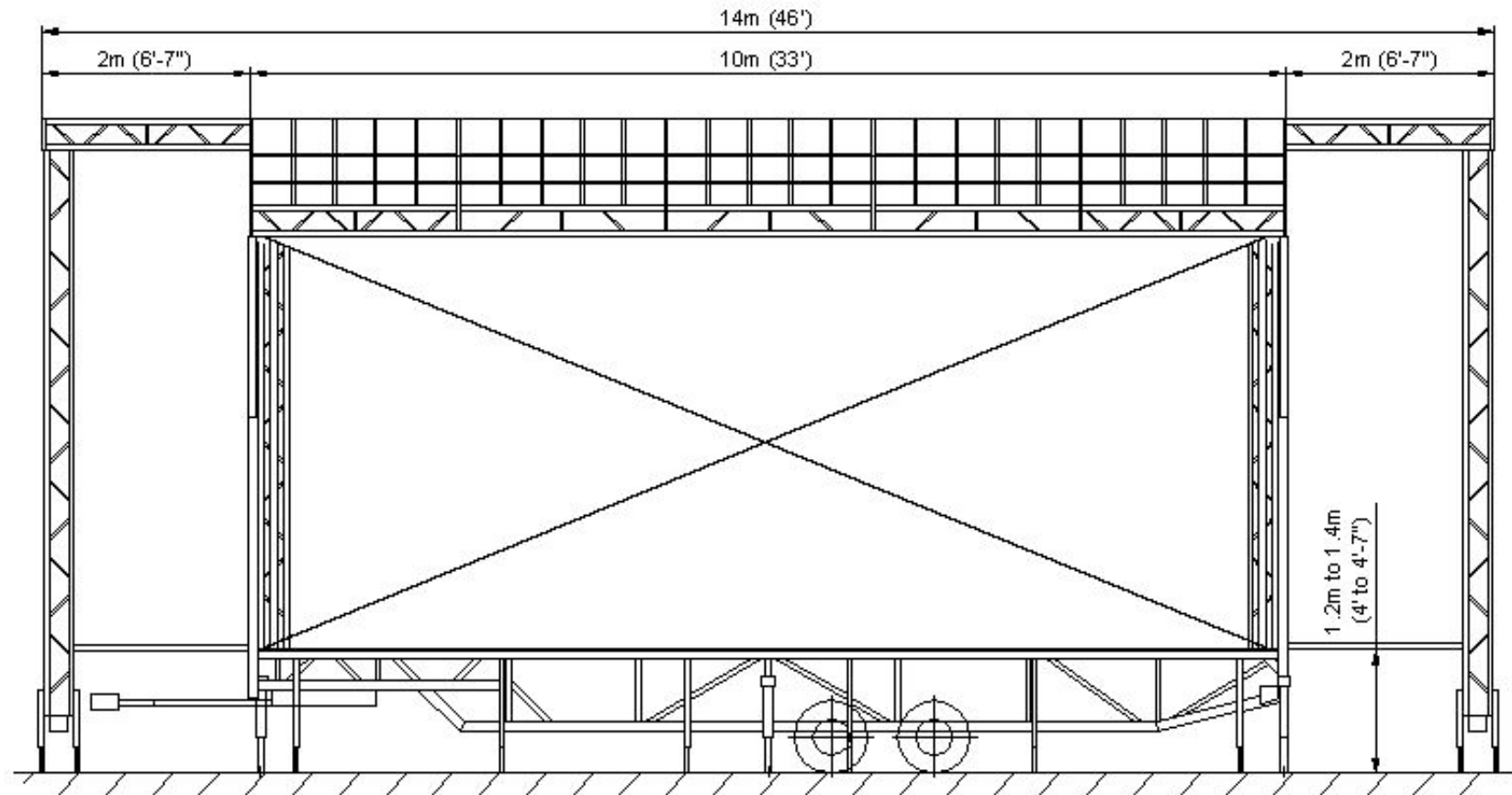
FAHRZEUGBAU GmbH

Tel. 05675/350 – Fax 05675/5340

Bremer Landstraße 25

34369 Hofgeismar/Hümme

## Stagemobil XXL



Front View

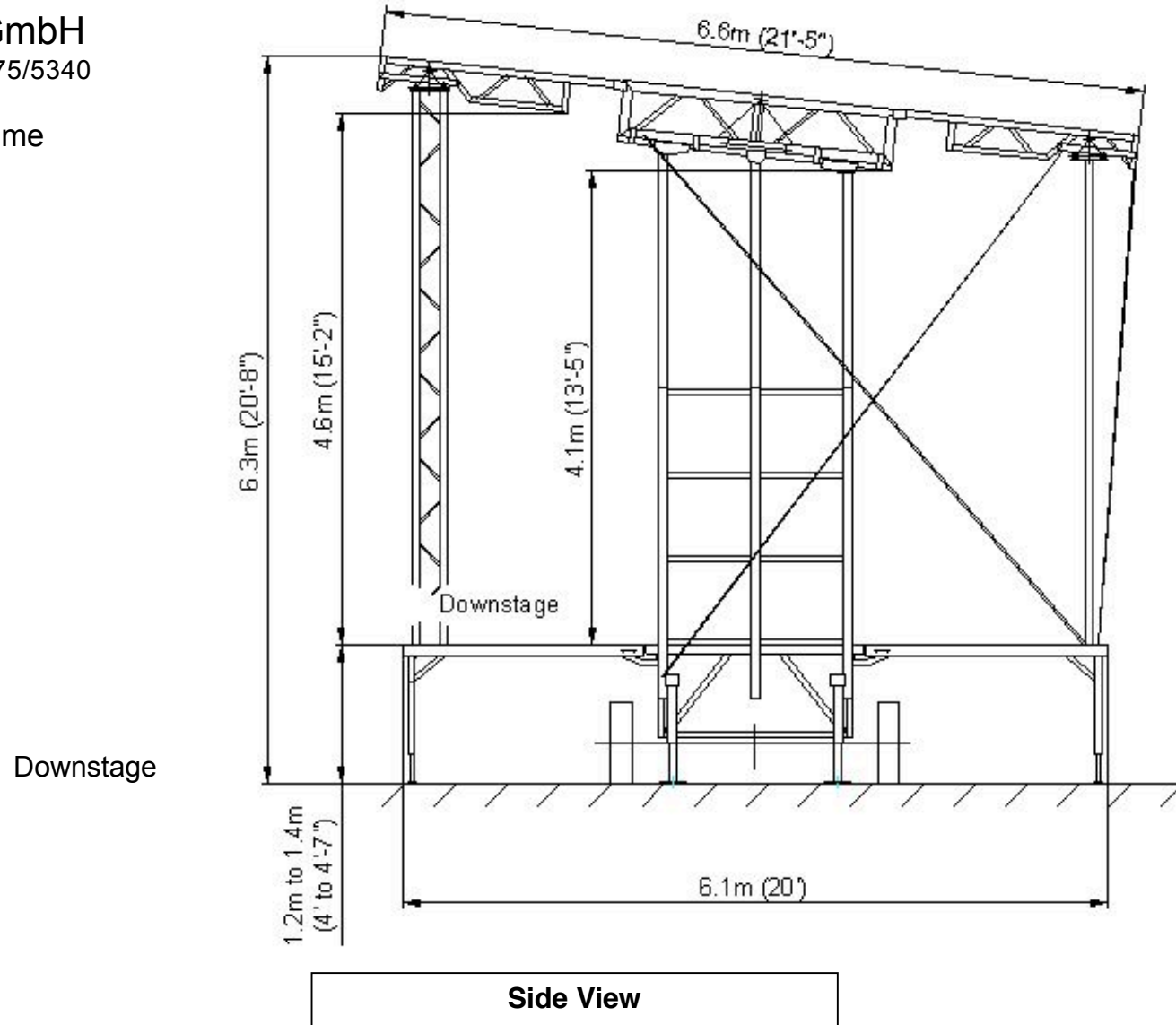
Stage specifications subject  
To change without notice  
Figures are within inch or  
cm to actual size

©2008 – Allrights reserved, Karl Eckart Fahrzeugbeu GmbH. Any and all forms of adaption or reproduction of this document including plans and drawings found herein, in whole or in part, are strictly forbidden without the written authorisation of Karl Eckart Fahrzeugbau GmbH.

Date: 2008-02-05  
Revision 0

Stagemobil®  
**KARL ECKART**  
 FAHRZEUGBAU GmbH  
 Tel. 05675/350 – Fax 05675/5340  
 Bremer Landstraße 25  
 34369 Hofgeismar/Hümme

**Stagemobil XXL**



Stage specifications subject  
 To change without notice  
 Figures are within inch or  
 cm to actual size

©2008 – Allrights reserved, Karl Eckart Fahrzeugbeu GmbH. Any and all forms of adaption or reproduction of this document including plans and drawings found herein, in whole or in part, are strictly forbidden without the written authorisation of Karl Eckart Fahrzeugbau GmbH.

Date: 2008-02-05  
 Revision 0

Stagemobil®  
**KARL ECKART**  
FAHRZEUGBAU GmbH  
Tel. 05675/350 – Fax 05675/5340  
Bremer Landstraße 25  
34369 Hofgeismar/Hümme

## Stagemobil XXL



Downstage  
Capacity: 100 lbs/ft<sup>2</sup> (5 kN/m<sup>2</sup>)

**Floor View**

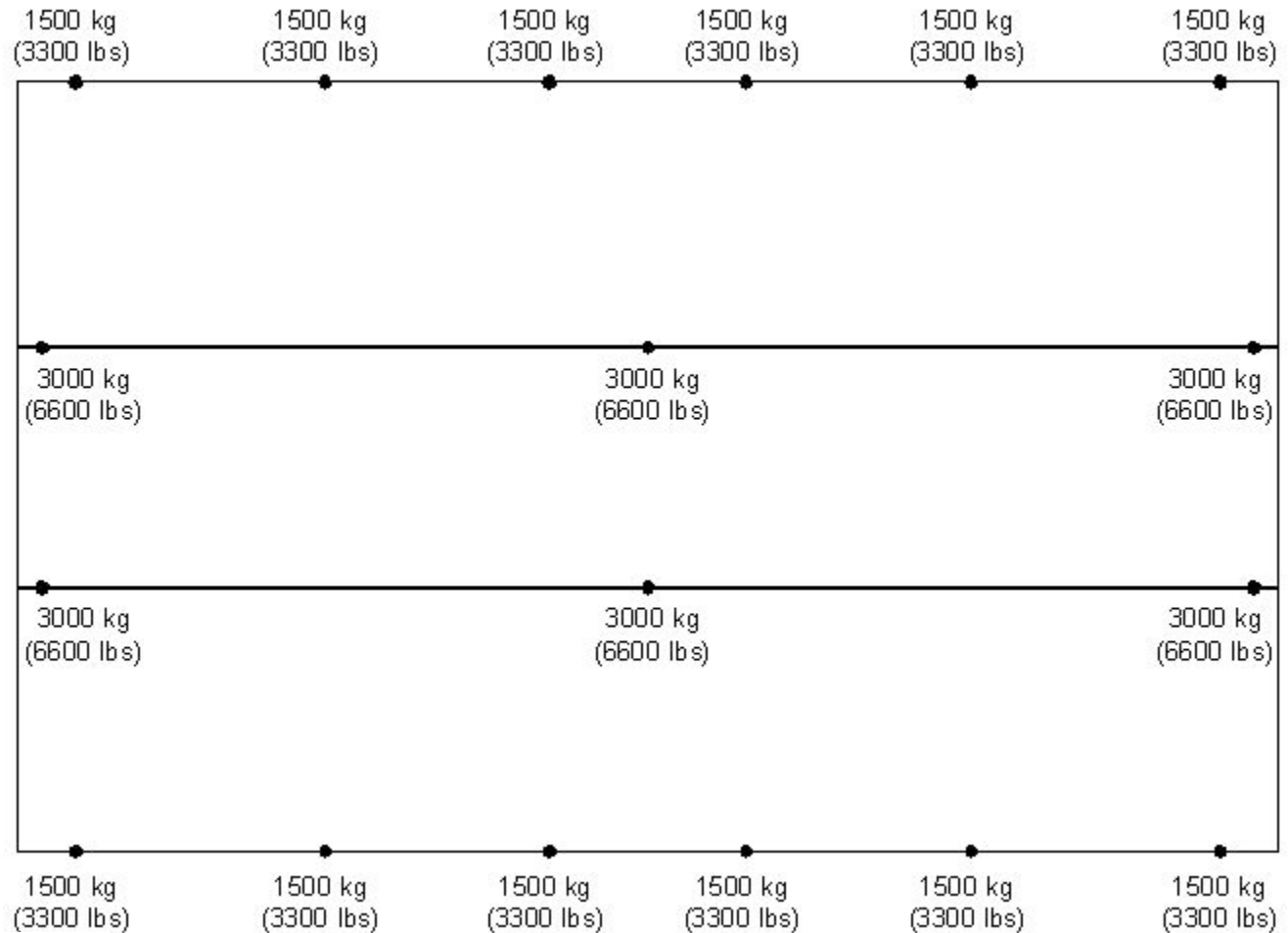
Stage specifications subject  
To change without notice  
Figures are within inch or  
cm to actual size

©2008 – Allrights reserved, Karl Eckart Fahrzeugbeu GmbH. Any and all forms of adaption or reproduction of this document including plans and drawings found herein, in whole or in part, are strictly forbidden without the written authorisation of Karl Eckart Fahrzeugbau GmbH.

Date: 2008-02-05  
Revision 0

Stagemobil®  
**KARL ECKART**  
 FAHRZEUGBAU GmbH  
 Tel. 05675/350 – Fax 05675/5340  
 Bremer Landstraße 25  
 34369 Hofgeismar/Hümme

**Stagemobil XXL**



Downstage

**Ground Support Capacity**

● Floor stabilizers, extensions and leveling jacks.  
 \*Nominal specifications subject to change with notice.

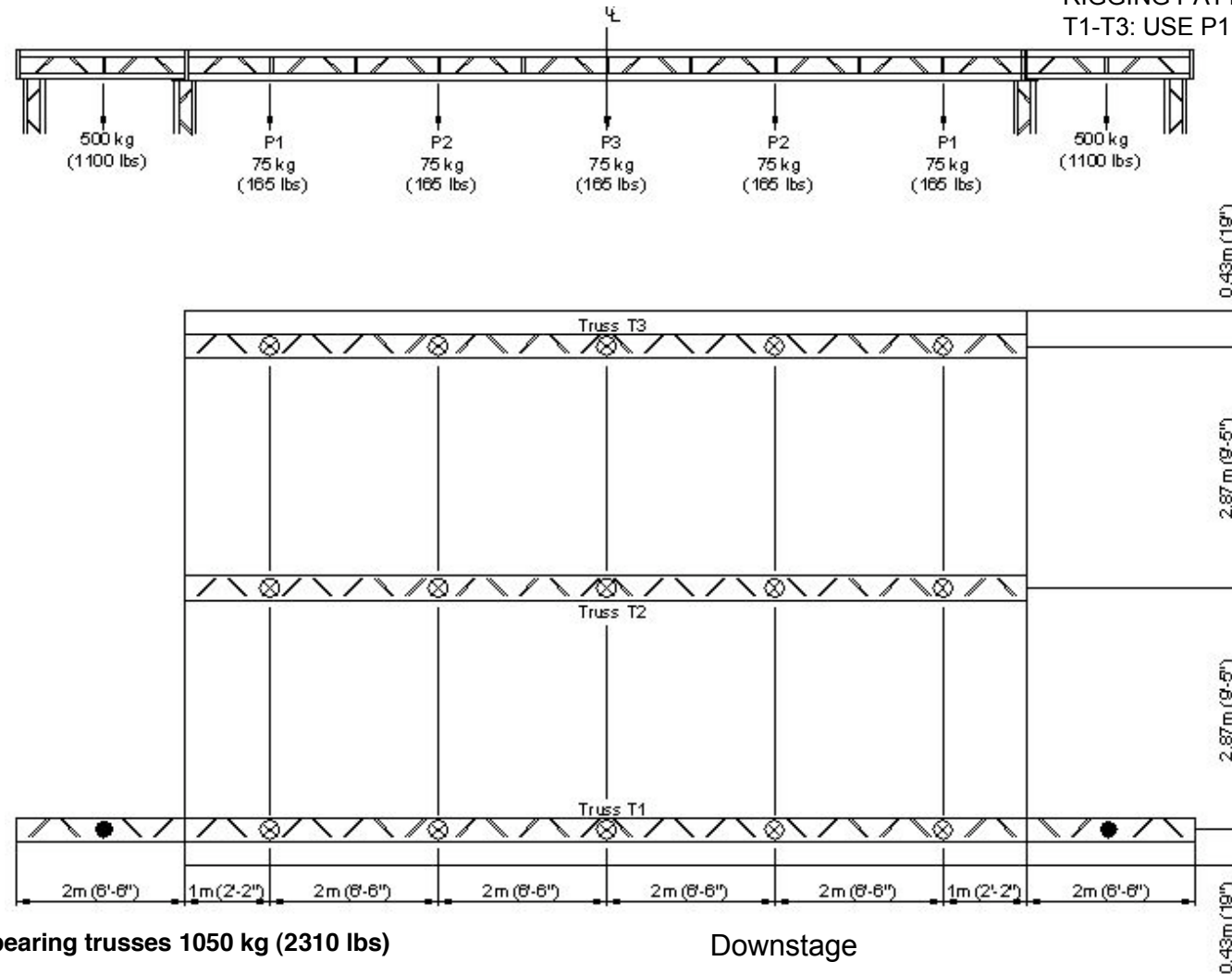
Stage specifications subject  
 To change without notice  
 Figures are within inch or  
 cm to actual size

Stagemobil®  
**KARL ECKART**  
 FAHRZEUGBAU GmbH  
 Tel. 05675/350 – Fax 05675/5340  
 Bremer Landstraße 25  
 34369 Hofgeismar/Hümme

## Stagemobil XXL

### LOAD BEARING TRUSSES

Total Maximum 350 kg (770 lbs)  
 RIGGING PATTERNS  
 T1-T3: USE P1 or P2 or P3



**Maximum load bearing capacity of all 3 bearing trusses 1050 kg (2310 lbs)**

Downstage

● Rigging point maximum capacity: 500 kg (1100 lbs)

⊗ Rigging point maximum capacity: 75 kg (165 lbs)

All loads should be evenly distributed.

Stage specifications subject  
 To change without notice  
 Figures are within inch or

©2008 – Allrights reserved, Karl Eckart Fahrzeugbeu GmbH. Any and all forms of adaption or reproduction of this document including plans and drawings found herein, in whole or in part, are strictly forbidden without the written authorisation of Karl Eckart Fahrzeugbau GmbH.

Date: 2008-02-05  
 Revision 0

**Rigging Plan**